

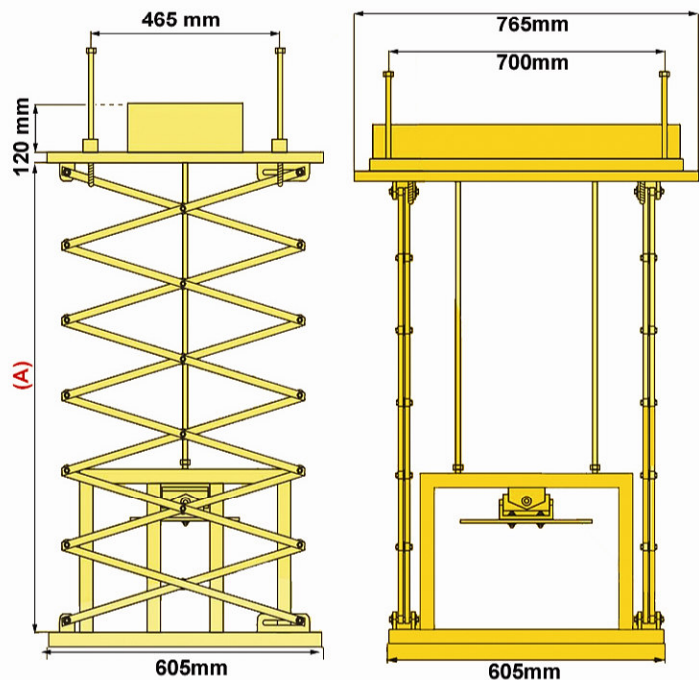
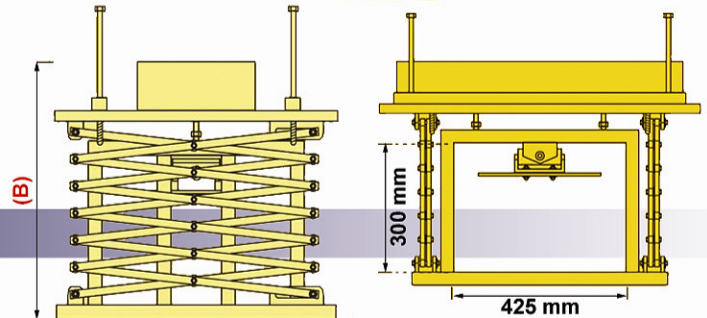
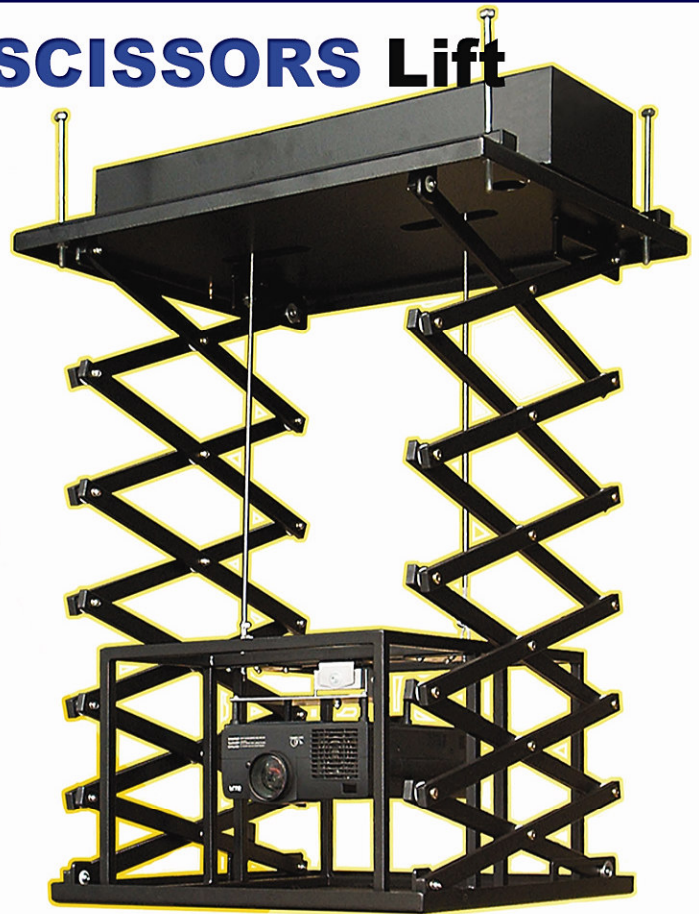
# Universal Projector **SCISSORS** Lift **SC-40/60**

**comm Universal Projector SCISSORS Lift (SC-40/60)** - Reliable Lift system where it can accomodates most Projectors weighing 33kg or less. With the convenience of a remote setting controller with 3 programmable positions, it provides an attractive solution to recess a projector in the ceiling.

Suitable for placement in conference rooms, boardrooms, training rooms, showrooms etc.

## **F E A T U R E S**

- Reliable & Affordable Lift System**
- Store, Show & Service Position**
- Electronic Limit Switch**
- Setting Allows from Ground Level**
- Silent Motor**
- Universal Projector Mounting**
- Suitable for most LCD/DLP Projectors**



## **SPECIFICATIONS**

### **MODEL NO: SC-40**

Dimension (WxD)	: 760 x 605 mm
Height in closed position	: 550mm (B)
Maximum Lowering	: 4.0metres (A)
Maximum Weight Capacity	: 33 kgs
Power Consumption	: 170W
Voltage	: 230 - 240V

### **MODEL NO : SC-60**

Dimension (WxD)	: 760 x 605 mm
Height in closed position	: 650mm (B)
Maximum Lowering	: 6.0metres (A)
Maximum Weight Capacity	: 30 kgs
Power Consumption	: 170W
Voltage	: 230 - 240V

All products information and specifications are subject to changes without prior notice.